



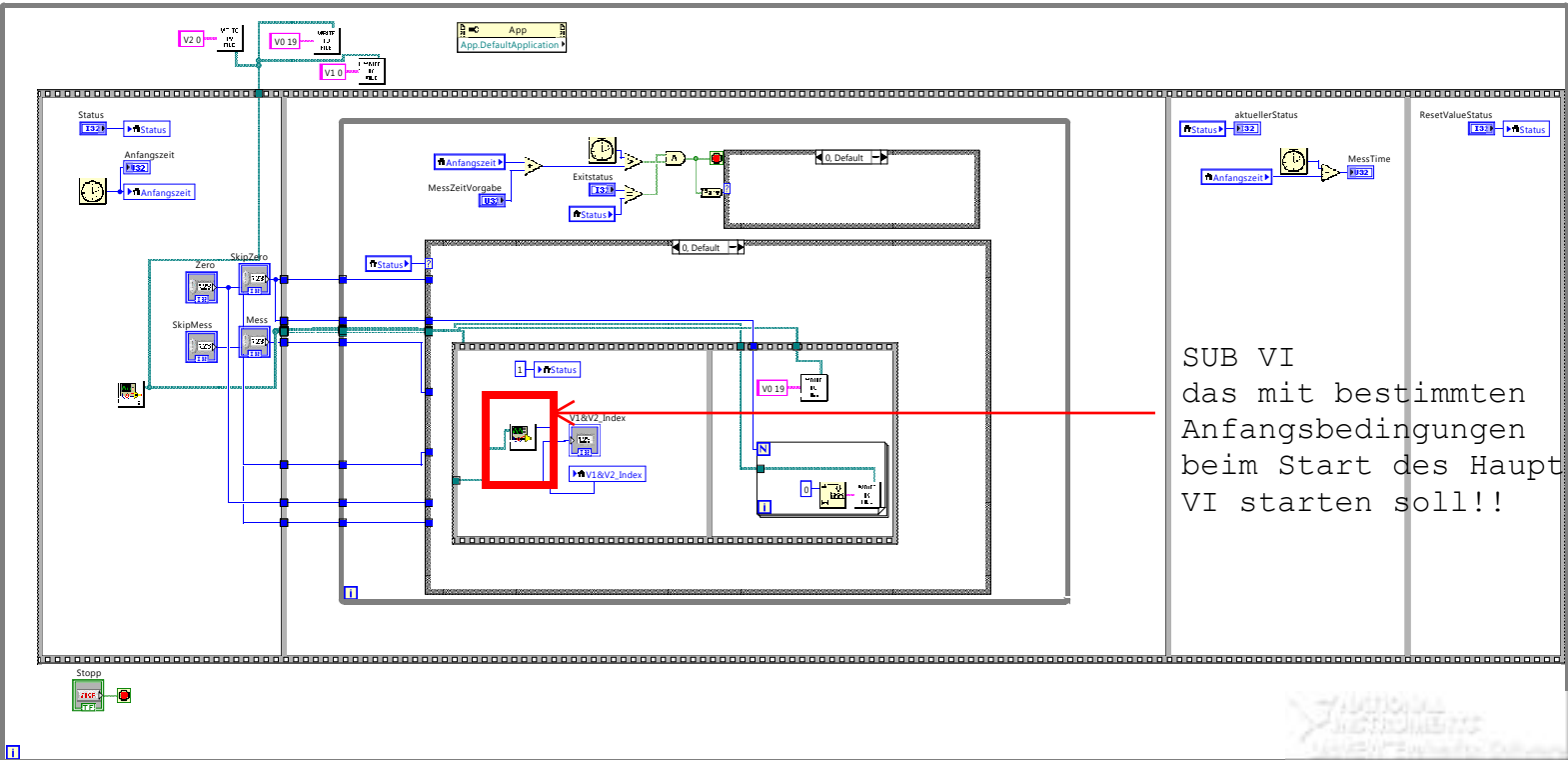
case_measurement_Jim_080511_.vi

E:\GE\LabVIEW\case_measurement_Jim_050511_2 Folder\case_measurement_Jim_050511_2 Folder\

case_measurement_Jim_080511_.vi

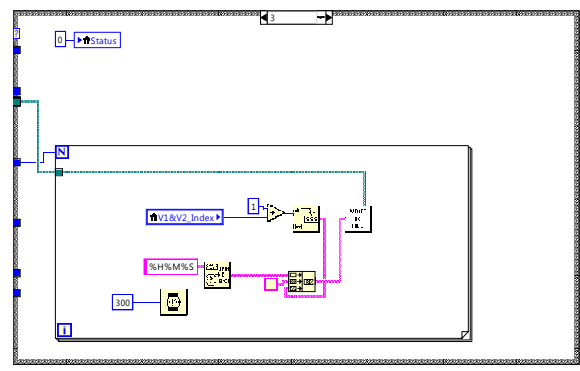
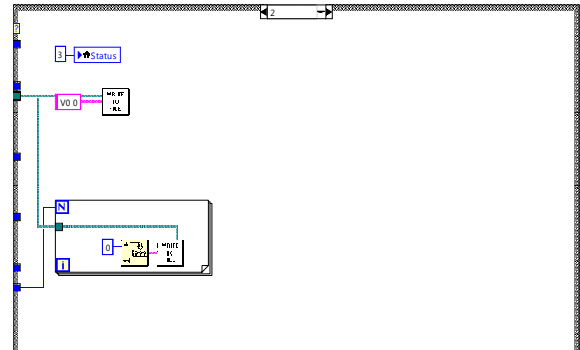
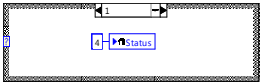
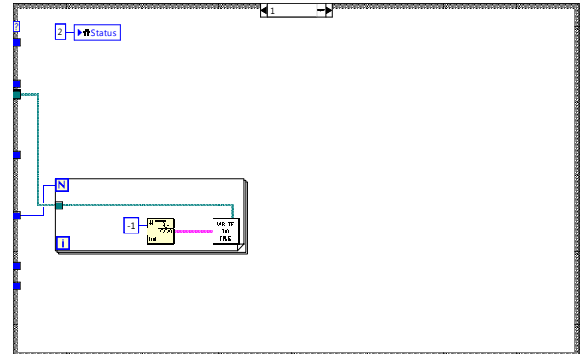
Last modified on 08.05.2011 at 11:42

Printed on 08.05.2011 at 12:15



aktuellerStatus
 Status
 ResetValueStatus
 Status
 MessTime
 Anfangszeit

SUB VI
 das mit bestimmten
 Anfangsbedingungen
 beim Start des Haupt
 VI starten soll!!





case_measurement_Jim_080511_.vi

E:\GE\LabVIEW\case_measurement_Jim_050511_2 Folder\case_measurement_Jim_050511_2 Folder\
case_measurement_Jim_080511_.vi

Last modified on 08.05.2011 at 11:42

Printed on 08.05.2011 at 12:15

